

Air handling unit *Albatros* **L50 R**

- Flexibel – impossible to order incorrectly
- Compact – access through 90 cm wide door
- Energy efficient
- Low noise level



Full flexibility. Easy adaptation to different applications.

The unit is delivered as a right hand model but can very easily be changed into a left hand model on site. Heater battery (electrical or water) is supplied separately and can easily be fitted/changed at site. This ensures safe, fast delivery and cost savings at possible changes in project or mistakes when ordering.

Fast delivery.

Flexit L50 R is produced against stock and will consequently have a very short delivery time.

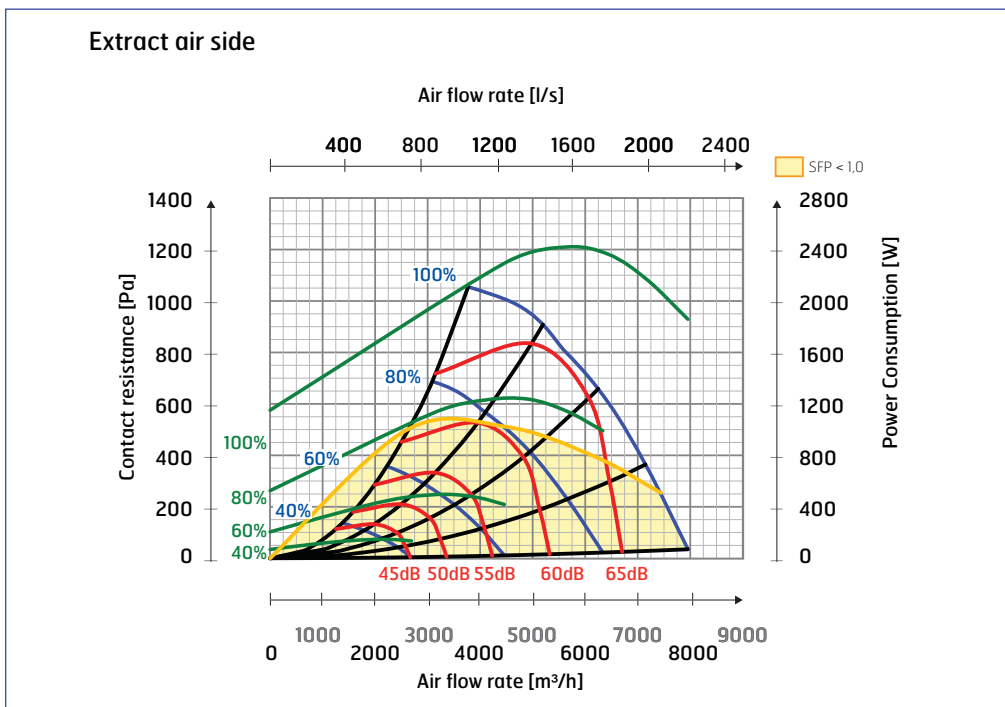
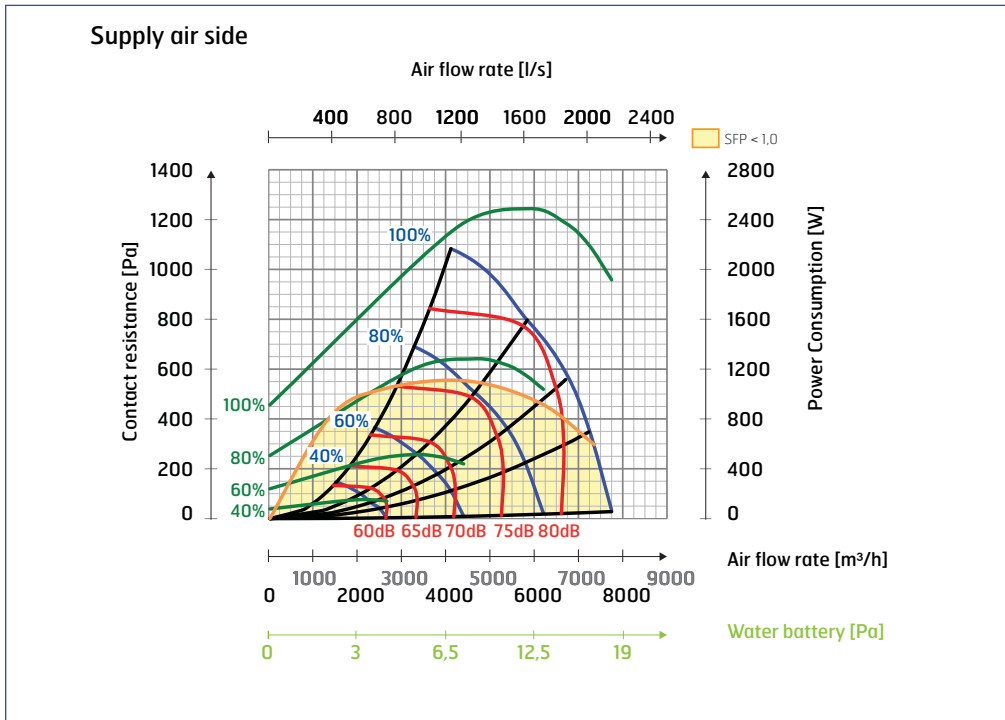
Easy access into buildings.

The unit is possible to split making transport into the building easy.

Energy efficient with low noise level.

The unit is energy efficient and fulfills demands set in building directive TEK10. In addition the unit has a very low noise level.

L50 R



Sound data is given at sound power level L_wA in the capacity diagrams and is corrected with the table below for the various octave bands. Radiated noise produces L_w in the various octave bands and total L_wA . Radiated noise is calculated by taking the noise value from the supply air table and deducting the total value from the correction factor table.

Supply air data is measured in accordance with ISO 5136 «In duct method» Radiated noise is measured in accordance with ISO 9614-2. Bruel & Kjaer measurement, type 2260.

Curves in diagram:

- Blue: Air volume in different capacity setting in %.
- Green: Power consumption in Watt, read the scale to the right.
- Red: Sound - indicate sound level L_wA .

Correction factor for L_w

Hz	63	125	250	500	1000	2000	4000	8000	L_wA
Supply	-6	-3	-6	-7	-4	-7	-11	-14	
Extract	8	9	1	-2	-9	-16	-28	-34	
Radiated	-42	-27	-30	-34	-36	-35	-43	-51	-30

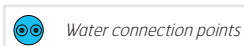
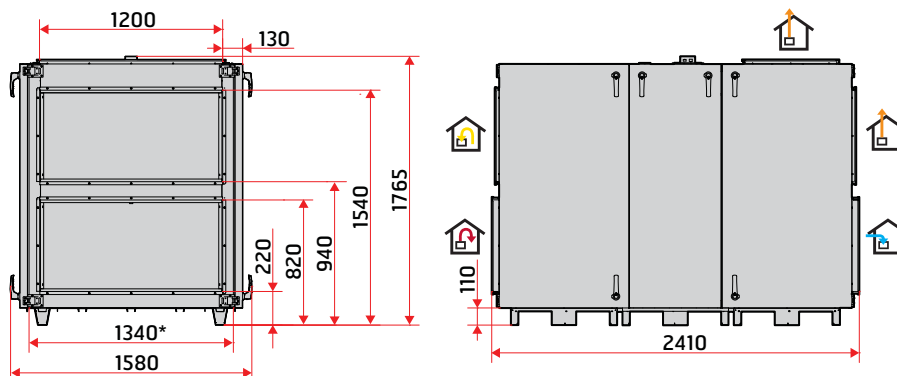
L50 R

	Electric battery	Water battery
Rated voltage	400 V	400 V
Fuse size	3 x 32 A	3 x 10 A
Rated current, total	27,5 A	7 A
Rated power, total	18 900 W	4 900 W
Rated power, electric battery	14 000 W	-
Rated power, fans	2 x 2400 W	2 x 2400 W
Fan type	B-wheel	B-wheel
Fan motor control	0-10V	0-10V
Max. fan speed	2 400 rpm	2 400 rpm
Filter class	ePM1 55% (F7)	ePM1 55% (F7)
Filter type	bag filter	bag filter
Filter dimensions (WxHxD mm)	4 x 592x592x640	4 x 592x592x640
Number of bags	10	10
Duct connection	1 200x600 mm	1 200x600 mm
Height	1 780 mm	1 780 mm
Width	2 410 mm	2 410 mm
Depth (with handles)	1 580 mm	1 580 mm
Depth (without door)	1 340 mm	1 340 mm

Gross unit weight	Fan	Heat recovery system	Doors	Net inward transport
640 kg	2 x 25 kg	108 kg	4 x 21 kg, 2 x 20 kg	358 kg

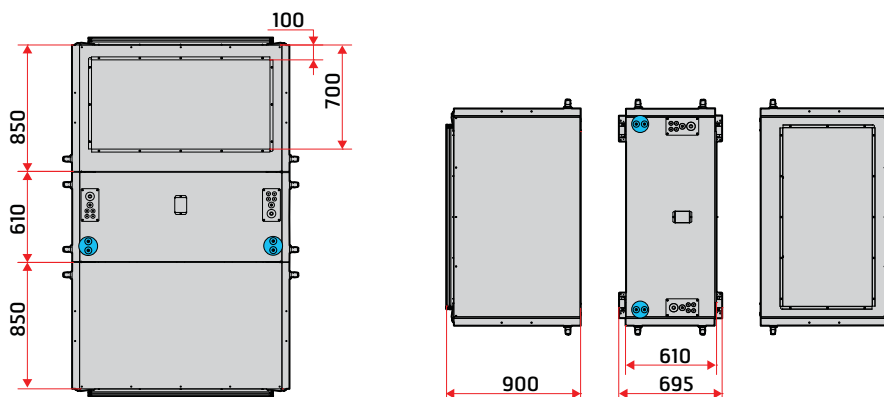
Supply air module	Rotor module	Extract air module	Control cabinet
193 kg	227 kg	200 kg	10 kg

Dimensioned Drawing



*without door

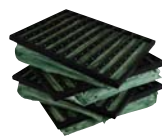
The dimensions are the same on both end sides.
The drawing shows a right model
All dimensions in mm



L50 R - AHU and accessories



15941	Air handling unit L50 R 400V incl. Control panel CS 2000
113841	Filter set, complete
113869	Closing air damper 1200x600 on/off
113870	Closing air damper 1200x600 spring
113610	Heating battery, electrical (complete)
113611	Heating battery, water (complete)
113556	Combi battery 600x600 left
113557	Combi battery 600x600 right
114121	Combi battery 900x600 left
114074	Combi battery 900x600 right
114133	Cooling battery 600x600 left
114134	Cooling battery 600x600 right
114158	Cooling battery 900x600 left
114073	Cooling battery 900x600 right
116482	Shunt valve KVS 0,4 3-way proff
116483	Shunt valve KVS 1,0 3-way proff
116484	Shunt valve KVS 1,6 3-way proff
116485	Shunt valve KVS 2,5 3-way proff
116486	Shunt valve KVS 4,0 3-way proff
117209	Shunt valve KVS 6,3 3-way proff
116487	Shunt valve KVS 0,4 2-way proff
116488	Shunt valve KVS 1,0 2-way proff
116489	Shunt valve KVS 1,6 2-way proff
116490	Shunt valve KVS 2,5 2-way proff
116491	Shunt valve KVS 4,0 2-way proff
117208	Shunt valve KVS 6,3 2-way proff
116492	Motor shunt valve 0-10V KVS 0,4 - 4,0
117207	Motor shunt valve 0-10V KVS 6,3
116493	Motor til shuntventil on/off KVS 0,4 - 4,0



Filter set



Closing air damper



Heating battery, water



Heating battery, electrical



Combi battery



Cooling battery



Shunt valve



Motor shunt valve

Accessories Control System

112434	Room sensor CS 2000
112435	Modbus
112438	BACnet IP
112439	Expansion module 14 IO
112440	Energy meter
09368	Room sensor CC 1040
09369	Outdoor sensor CC 1041
09364	Press button
112442	Timer, electronic
112441	Timer, mechanical
09390	Motion detector SP 450
09358	Motion detector SP 435
09359	CO ₂ -sensor SP440
09861	Smoke detector SP445
112445	Pressure sensor 0-2500 Pa
112444	Pressure sensor 0-1250 Pa



Room sensor



Modbus



BACnet IP



Energy meter



Room sensor CC 1040



Expansion module 14 IO



Outdoor sensor CC 1041



Press button



Pressure sensor



Timer electronic



Timer mechanical



Motion detector SP 450



CO₂-sensor SP 440



Smoke detector SP 445



Motion detector SP 435

www.flexit.com

Our products are subject to continuous development and we therefore reserve the right to make changes. We also disclaim liability for any printing errors that may occur.