

FILTER INSERT 100

FILTER INSERT FOR AIR FILTRATION

DESCRIPTION

- Filter insert keeps out dust particles
- Insert developed especially for Tecanno air vents
- For use in surface-mounted and recessed air vents 100
- Simple click installation
- The filter insert must be combined with a filter. It provides a free filtration surface.
- Its use cannot be regulated
- Can be replaced by a volume flow regulator for air regulation
- Protected by patent, made in Germany
- Made of ABS plastic with 3M High Air Flow filter

TECHNICAL DATA

Manufacturer	Tecanno
Type	FILTER INSERT 100
Dimensions ø (mm)	93
Weight (g)	20
Colour	white
Item No.	20100
REPLACEMENT FILTER	3M High Air Flow (5x)
Item No.	30100

MATERIAL

Filter ring made of ABS plastic
Filter: 3M High Air Flow

i You will find the acoustic data and pressure reductions in the technical data sheets of the vents.

TENDER SPECIFICATION

Tecanno FILTER INSERT 100 for air filtration. The FILTER INSERT with a 3M High Air Flow (HAF) filter provides a free filtration surface. Its use cannot be regulated. Protected by patent, made in Germany.

Made of ABS plastic with 3M High Air Flow filter, white.

Manufacturer: Tecanno

Type: FILTER INSERT 100

Dimensions ø (mm): 93

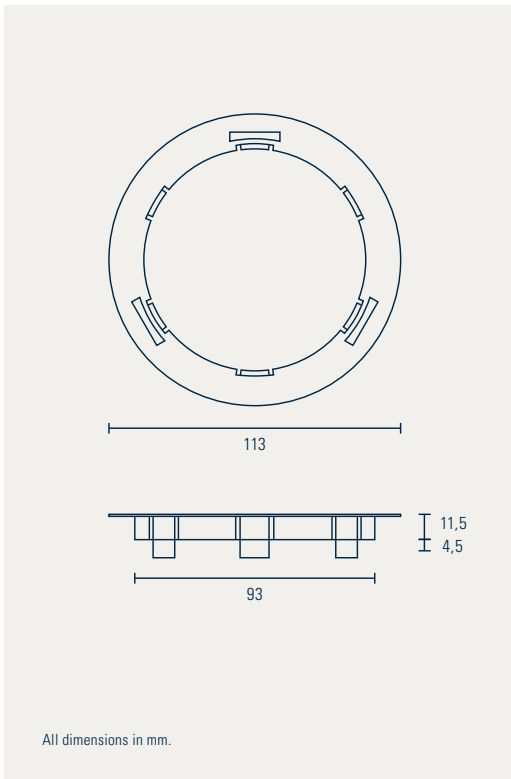
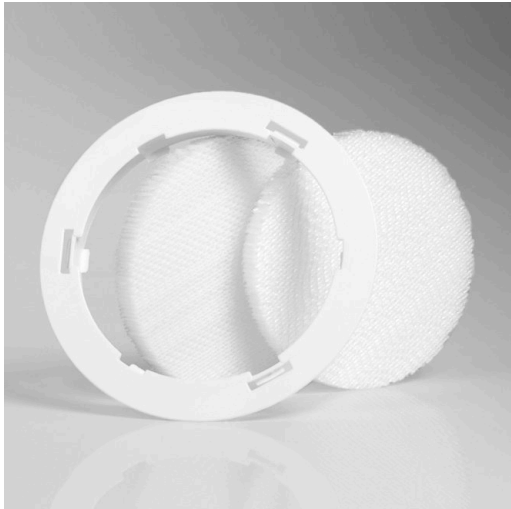
Item No.: 20100

CONFIGURATION

The FILTER INSERT is inserted into the front of the Tecanno air vent's freely usable cross-section. The vent cover hides it. The FILTER INSERT must be combined with a filter. It provides a free filtration surface. Filter class G2, UL900 Class 1 flammability standard, maximum temperature 70 °C. The electrostatically charged filter medium consists of a number of channels for air passage based on micro-replication technology. It is resistant to moisture and ordinary chemicals, and provides high particle separation at low air resistance. Its use cannot be regulated. A VOLUME FLOW REGULATOR can replace the FILTER INSERT for infinitely variable air regulation.



E.g.: Vent ONE and Vent ONE PLUS with FILTER INSERT and 3M High Air Flow filter



FILTER INSERT 125

FILTER INSERT FOR AIR FILTRATION

DESCRIPTION

- Filter insert keeps out dust particles
- Insert developed especially for Tecanno air vents
- For use in surface-mounted and recessed air vents 125
- Simple click installation
- The filter insert must be combined with a filter. It provides a free filtration surface.
- Its use cannot be regulated
- Can be replaced by a volume flow regulator for air regulation
- Protected by patent, made in Germany
- Made of ABS plastic with 3M High Air Flow filter

TECHNICAL DATA

Manufacturer	Tecanno
Type	FILTER INSERT 125
Dimensions ø (mm)	118
Weight (g)	30
Colour	white
Item No.	20125
<hr/>	
REPLACEMENT FILTER	3M High Air Flow (5x)
Item No.	30125

MATERIAL

Filter ring made of ABS plastic
Filter: 3M High Air Flow

i You will find the acoustic data and pressure reductions in the technical data sheets of the vents.

TENDER SPECIFICATION

Tecanno FILTER INSERT 125 for air filtration. The FILTER INSERT with a 3M High Air Flow (HAF) filter provides a free filtration surface. Its use cannot be regulated. Protected by patent, made in Germany.

Made of ABS plastic with 3M High Air Flow filter, white.

Manufacturer: Tecanno

Type: FILTER INSERT 125

Dimensions ø (mm): 118

Item No.: 20125

CONFIGURATION

The FILTER INSERT is inserted into the front of the Tecanno air vent's freely usable cross-section. The vent cover hides it. The FILTER INSERT must be combined with a filter. It provides a free filtration surface. Filter class G2, UL900 Class 1 flammability standard, maximum temperature 70 °C. The electrostatically charged filter medium consists of a number of channels for air passage based on micro-replication technology. It is resistant to moisture and ordinary chemicals, and provides high particle separation at low air resistance. Its use cannot be regulated. A VOLUME FLOW REGULATOR can replace the FILTER INSERT for infinitely variable air regulation.



E.g.: Vent ONE and Vent ONE PLUS with FILTER INSERT and 3M High Air Flow filter

